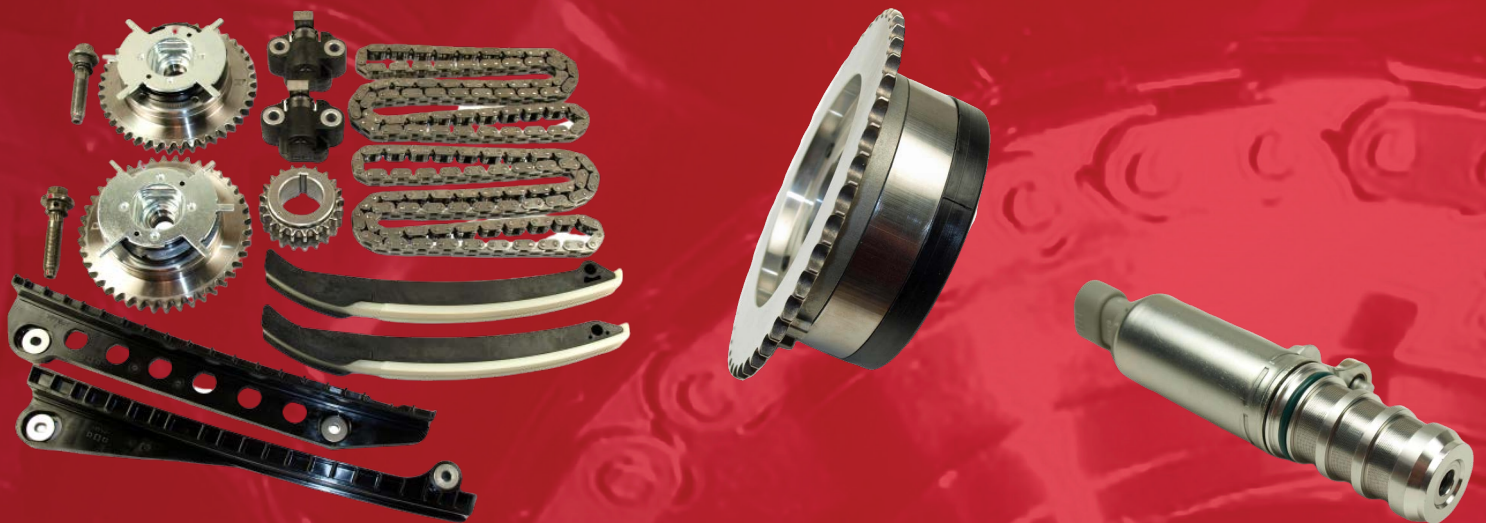




Cloyes® Variable Valve Timing Chain Kits

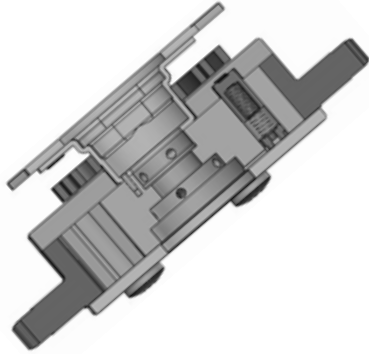
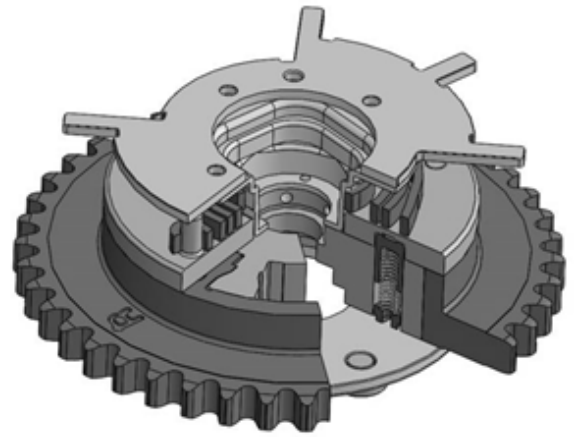


COMPLETE REPAIR SOLUTION.

Cloyes' Variable Valve Timing (VVT) Chain Kits and Components offer technicians a complete repair solution for higher mileage vehicles. Each part is extensively tested and measured for function, fitment, and durability to ensure optimal performance.

TESTING AND DEVELOPMENT.

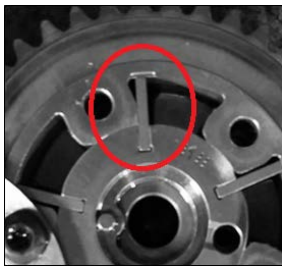
Cloyes' VVT components are 100% tested during production. Test parameters include adjustable angle, leakage, locking pin functionality, friction, max oil flow, and holding duty cycle. Components are also put through real-world testing environments.



IMPROVED PERFORMANCE.

For the popular 3V Ford 4.6-liter and 5.4-liter applications, Cloyes has developed a uniquely designed actuator that is superior to the OE and competitive aftermarket product, performing better under low oil pressure conditions by eliminating contact between rotor and stator resulting in 10% more torque and 20% less internal drag.

EXTENDED ENGINE LIFE.



The original equipment (OE) spring actuated vanes produce drag and wear over time.



Other aftermarket competitors' phasers have spring actuated nylon vane seals that are prone to wear.



Cloyes' unique frictionless design results in 10% more torque and 20% less internal drag.